

RK19506 Stem Repair Kit

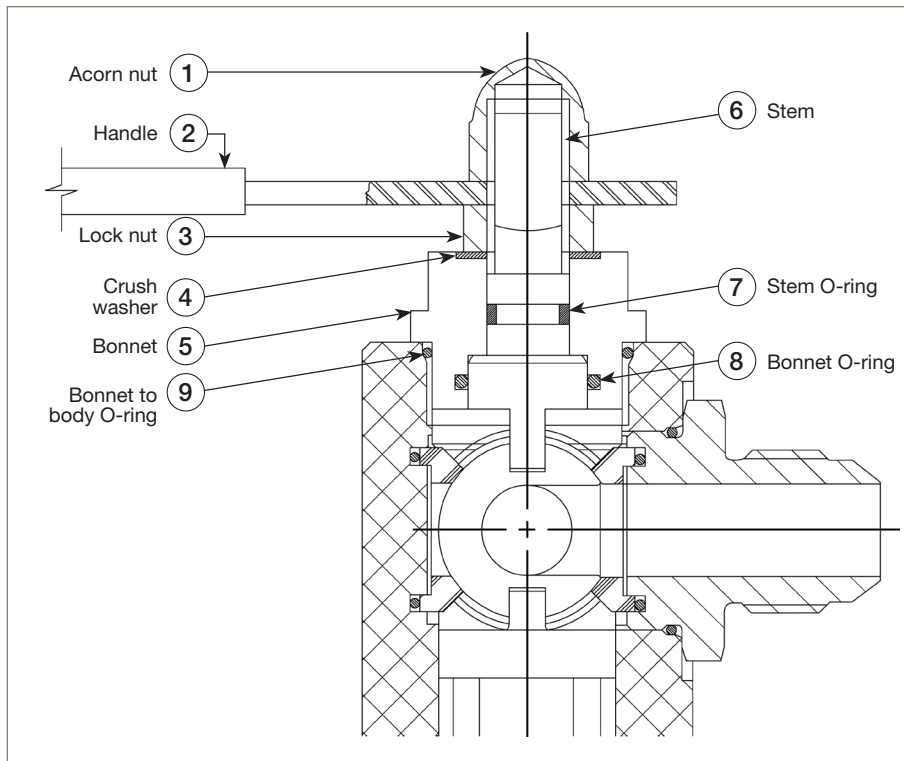
Instruction Part Number 19512 Rev A



Instructions:

Valve can be repaired in place without removal or disassembly. If assembly will be serviced in place, turn off fuel tank supply valve (or any others) to avoid fuel spillage, then proceed as follows:

1. Prior to disassembly, note position of item 2 (handle) in relation to valve body for reassembly. All off position recommended.
2. Remove items 1, 2, 3, 4, 5, and 6 in order listed, note position of flat on item 6 (stem).
3. Remove item 7 (O-ring) from item 5 (bonnet) being careful not to scratch gland surface and discard. Lube new item 7 (O-ring) with Parker Super O-lube (or equivalent) and install into inside groove of item 5 (bonnet).
4. Lube item 8 (O-ring) and install new item 6 (stem) into valve body ensuring that bottom tab properly engages slot in ball as shown, and flat on top of stem is in correct position as noted in step 2 above - this is very important.



Contact Information:

Parker Hannifin Corporation
Racor Division
P.O. Box 3208
3400 Finch Road
Modesto, CA 95353

phone 800 344 3286
209 521 7860
fax 209 529 3278
racor@parker.com

www.parker.com/racor

5. Lube item 9 (bonnet to body O-ring) and install in gland of item 5 (bonnet). Apply 1-2 drops of Loctite #242 Threadlocker (or equivalent) onto threads of item 5 (bonnet), then slide over item 6 (stem) and thread into valve body. Torque item 5 (bonnet) to 33-50 foot pounds.
6. Place new item 4 (washer) over item 6 (stem) and into groove of item 5 (bonnet). Thread item 3 (lock nut) onto item 6 (stem) finger tight only. Apply 1-2 drops of Loctite #242 Threadlocker (or equivalent) to thread between item 3 (lock nut) and item 6 (stem).
7. Place item 2 (handle) onto item 6 (stem)
Note: Racor text faces outward toward user. Apply 1-2 drops of Loctite #242 Threadlocker (or equivalent) onto threads of item 1 (acorn nut) and install onto item 6 (stem). Torque item 1 (acorn nut) to 5-7 foot pounds, while securing item 3 (lock nut) with a wrench.
8. Rotate valve handle and feel operation through a full rotation. To increase resistance, tighten item 3 (lock nut) towards item 5 (bonnet). To reduce resistance, loosen item 3 (lock nut) away from item 5 (bonnet) (usually 1/16 turn is all that is needed). Repeat step 7.
9. Open any valves that were closed prior to disassembly. Start the engine and check for leaks. Correct any leaks with the engine off.



ENGINEERING YOUR SUCCESS.

Limited Warranties Statement

All products manufactured or distributed by Racor are subject to the following, and only the following, LIMITED EXPRESS WARRANTIES, and no others: For a period of one (1) year from and after the date of purchase of a new Racor product, Racor warrants and guarantees only to the original purchaser-user that such a product shall be free from defects of materials and workmanship in the manufacturing process. The warranty period for pumps and motors is specifically limited to ninety (90) days from date of purchase. A product claimed to be defective must be returned to the place of purchase. Racor, at its sole option, shall replace the defective product with a comparable new product or repair the defective product. This express warranty shall be inapplicable to any product not properly installed and properly used by the purchaser-user or to any product damaged or impaired by external forces.

THIS IS THE EXTENT OF WARRANTIES AVAILABLE ON THIS PRODUCT. RACOR SHALL HAVE NO LIABILITY WHATSOEVER FOR CONSEQUENTIAL DAMAGES

FLOWING FROM THE USE OF ANY DEFECTIVE PRODUCT OR BY REASON OF THE FAILURE OF ANY PRODUCT. RACOR SPECIFICALLY DISAVOWS ALL OTHER WARRANTIES, EXPRESS OR IMPLIED INCLUDING, WITHOUT LIMITATION, ALL WARRANTIES OF FITNESS FOR A PARTICULAR PURPOSE (EXCEPT FOR THOSE WHICH APPLY TO PRODUCT OR PART THEREOF THAT IS USED OR BOUGHT FOR USE PRIMARILY FOR PERSONAL, FAMILY, OR HOUSEHOLD PURPOSES), WARRANTIES OF DESCRIPTION, WARRANTIES OF MERCHANTABILITY, TRADE USAGE OR WARRANTIES OR TRADE USAGE.

Warning

Failure or improper selection or improper use of the products and/or systems described herein or related items can cause death, personal injury and property damage. This document and other information from Parker Hannifin Corporation, its subsidiaries and authorized distributors provide product

and/or system options for further investigation by users having technical expertise. It is important that you analyze all aspects of your application and review the information concerning the product or system in the current product catalog. Due to the variety of operating conditions and applications for these products or systems, the user, through its own analysis and testing, is solely responsible for making the final selection of the products and systems and assuring that all performance, safety and warning requirements of the applications are met. The products described herein, including with limitation, product features, specifications, designs, availability and pricing, are subject to change by Parker Hannifin Corporation and its subsidiaries at any time without notice.

The following statement is required pursuant to proposition 65, applicable in the State of California: 'This product may contain a chemical known to the State of California to cause cancer or reproductive toxicity'